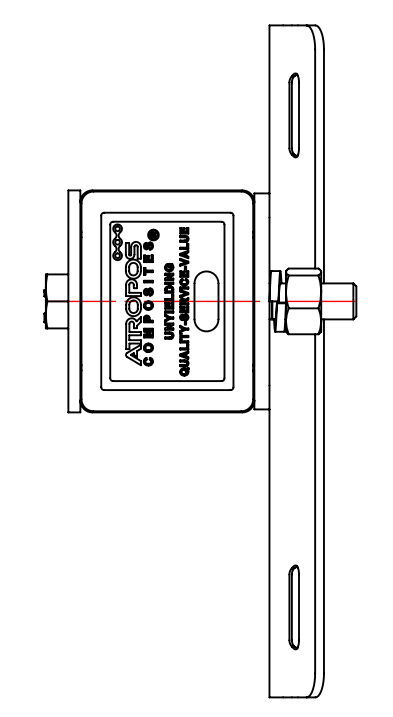
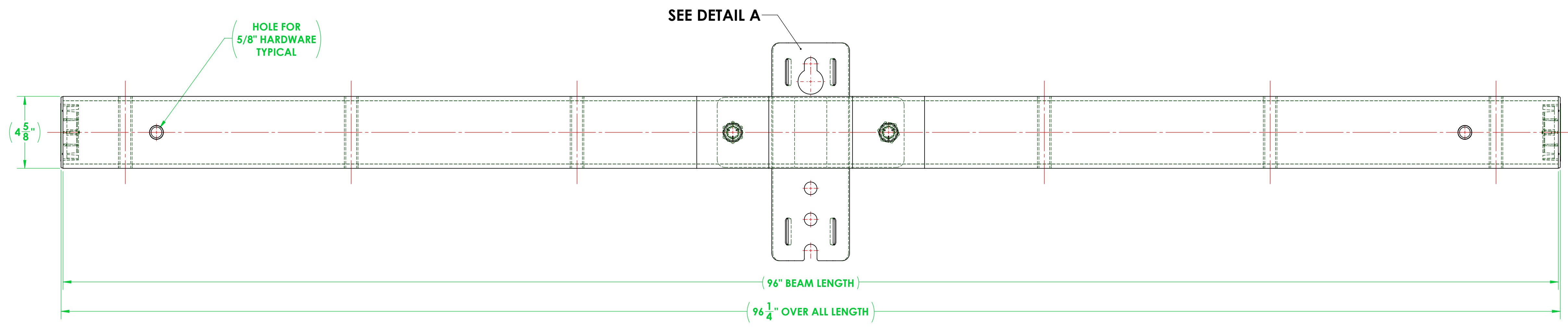
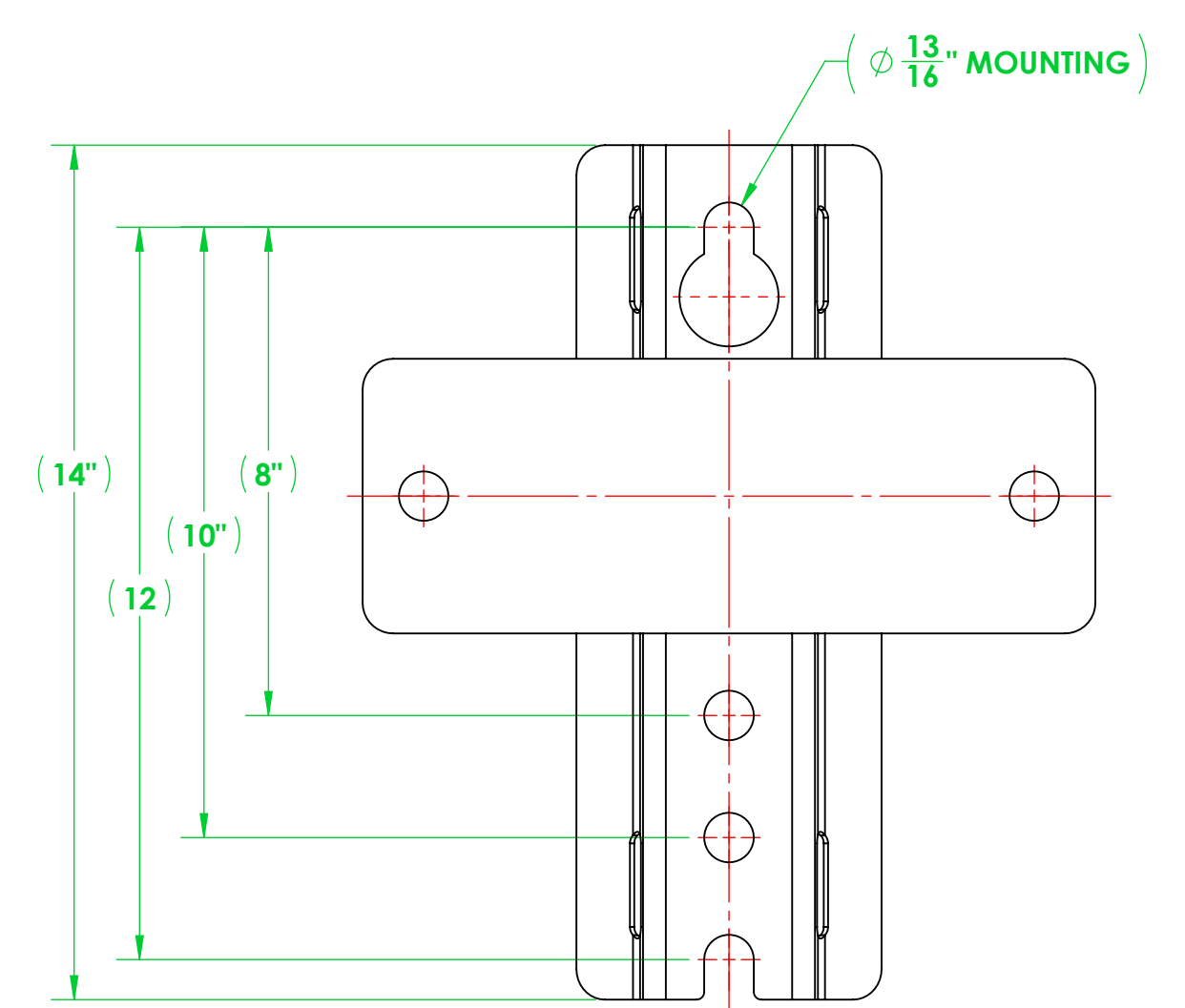
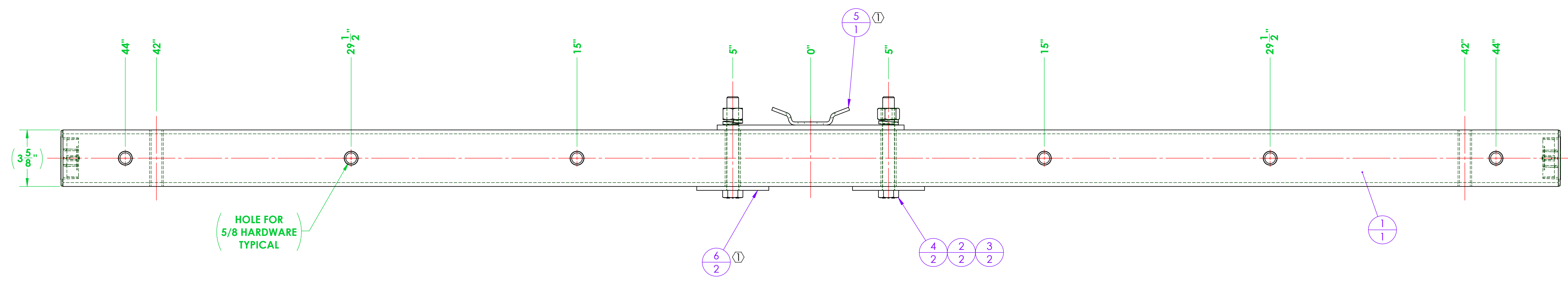



REVISIONS			
REV.	DESCRIPTION	DATE	APPROVED
-	NEW RELEASE	-	-
1	MOUNTING BRACKET WAS FABRICATED NOW PURCHASED. PLATE WASHERS WERE FABRICATED NOW PURCHASED.	4/20/2026	F. BRYANT



ITEM NO.	PART NUMBER	DESCRIPTION	QTY.
1	3402A096-T011-XR04 CA	ASSEMBLY, RUS, 3402 CROSSARM, TANGENT, 8" TYPE 4 DRILL PATTERN	1
2	A616-0042-01	LOCK WASHER, FOR 3/4" SCREW, 0.766" ID, 1.265" OD, 0.188" THICK, HOT-DIPPED GALVANIZED STEEL	2
3	A616-0019-02	EXTREME STRENGTH NUT, HEX, 3/4"-10, 2H, HOT-DIPPED GALVANIZED	2
4	A616-0020-02	BOLT, HEX, 3/4"-10 X 6.00" LONG, HOT DIPPED GALVANIZED STEEL, 1-1/8" DRIVE	2
① 5	A700-0042	CROSSARM MOUNTING BRACKET, TANGENT, 3400 SERIES	1
① 6	A700-0047	WASHER, SQUARE, 4.625" X 4.625" X 0.25 THICK WITH 0.81 THRU HOLE	2

GENERAL NOTES		UNLESS OTHERWISE SPECIFIED		NAME	DATE
DIMENSIONS ARE IN INCHES		DRAWN: F. BRYANT		F. BRYANT	10/13/2025
STANDARD TOLERANCES		CHECKED: TJS		TJS	10/21/2025
FRACTIONAL: ±1/32		ANGULAR:			
MACHINED: ±0.5'		BEND: ±2'			
TWO PLACE DECIMAL: ±0.03		THREE PLACE DECIMAL: ±0.005			
INTERPRET GEOMETRIC TOLERANCING PER: ANSI Y14.5		MATERIAL:			
FINISH:		PROPERTY AND CONFIDENTIAL			
DO NOT SCALE DRAWING		THE INFORMATION CONTAINED IN THIS DRAWING IS THE SOLE PROPERTY OF VECTURIO. ANY REPRODUCTION IN PART OR AS A WHOLE WITHOUT THE WRITTEN PERMISSION OF VECTURIO IS PROHIBITED.			



12208 MISSOURI BOTTOM ROAD, HAZELWOOD, MO 63042
PHONE: 314.714.4001 FAX: 314.895.1943
SALES@LABYRINTH-TECH.COM

TITLE:
ASSEMBLY, RUS, 3402, CROSSARM WITH GAIN, TANGENT, 8" TYPE 4 DRILL PATTERN

SIZE DWG. NO. REV
D 3402A096-T011-XR04 1

SCALE: 1:8 WEIGHT: 55.94 SHEET 1 OF 1